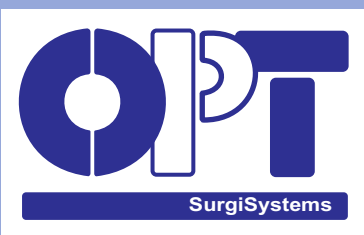


# Standard Configuration OPT 40/1

OPERATING TABLE OPT 40/1		"L" SHAPE ANAESTHESIA SCREEN	
WIRED CONTROL UNIT		CLAMP WITH RADIAL SETTING	
HEAD SECTION		ARM SUPPORT HEIGHT ADJUSTABLE	
UPPER BACK SECTION		SINGLE GOEPEL KNEE CRUTCH	
LEG SECTION		BODY/LEG SUPPORT	



**OPT SurgiSystems S.r.l.**  
**OPERATING TABLES SINCE 1921**

Single shareholder company, subject to management and coordination of TKB Corporati

Via Cesare Battisti, 17 - 38060 CALLIANO (TN) - ITALY  
 Tel. r.a. +39 0464 834336 - Fax +39 0464 835142  
 e-mail: info@opt-ita.com - www.opt-ita.com



*OPT SurgiSystems S.r.l. reserves the right to make any modification without prior notice.*

01-14 / HGB



# OPT 40/1 MULTIFUNCTIONS PLUS



The new operating table OPT 40/1 is up-to-dated in its class as far as aesthetical and innovative criteria are concerned, it is functional in any detail, safe and versatile in any use. It has been designed and built in order to satisfy any requirement of the operating room and can be easily used in any surgery discipline.

A silent electro-hydraulic system that can be operated through an intergrated control panel, cable linked control unit, I.R control unit and foot pedal switch, allows 30° trendelenburg/antitrendelenburg, 20° bilateral inclination, 360 mm height adjustment going from a min height of 760 mm to a max height of 1120 mm, 250 mm slied of tabletop particularly useful for radiology applications, back section titling, flex/reflex and self-levelling of the operating table



### Strong, modular, versatile

A unique table tops suitable for all surgical procedures, divided in 6 radiotransparent sections (standard configuration), interchangeable, complete with 60 mm soft, removable, radiotransparent and antistatic pads and with accessories rails, section 25x10 mm, for the application of the specialist accessories :

- Head-section titling and removable
- Lower back section electrically titlable
- Removable upper back section, manually titlingable
- Pelvis section
- Two separated leg-section, each can be titled, spread and removable, in two or four pieces



### Manoeuvrable but extremely stable

The new OPT 40/1 has large wheels guaranteeing an excellent maneuverability in every situation. An optional fifth wheel can be easily and rapidly raised/lowered by means of an innovative up/down foot command.

The stability of the table during the surgical procedures is guaranteed by four mechanical stabilization pistons.



### User interface

On the basic of the table there is a display for the self monitoring of the battery charge condition as well as the data transmission correct operating. The column is equipped with an integrated control panel to allow all electrical movements.



### Control units

All the electrical functions are independent from each other and can be operated through:

- Integrated control panel (standard in delivery)
- I.R infrared control unit (optional)
- Cable linked control unit (optional)
- Foot pedal switch at 2 or 3 commands (optional)



### Integration

OPT 40/1, through an optional system. Guarantees the full compatibility with the integrated operating rooms developed by the major worldwide integrators.



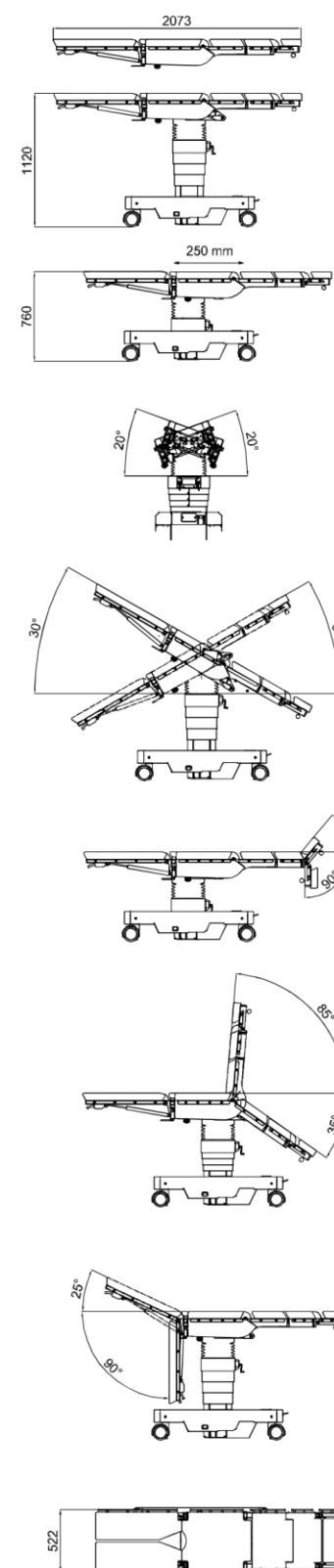
### Manual emergency override (optional)

An external device allows to perform manually the movements of the table in case of emergency



### Carbon fibre table top

OPT 40/1 is also available with the carbon fibre table top, particularly indicated for vascular, cardiac and ortho/trauma surgery, where 360° radiolucency is strictly needed.



PER TUTTE LE MOVIMENTAZIONI:  
TOLLERANZE LINEARI = +/-5mm  
TOLLERANZE ANGOLARI = +/-2'

## OPT 40/1 multifunctions plus - technical

### Electro-hydraulic movements

<b>Height Variation</b>	700-1.060 mm (without cushions)
<b>Trendelenburg</b>	30°
<b>Antitrendelenburg</b>	30°
<b>Bilateral tilt</b>	20°
<b>Lower back section inclination</b>	+85°/ -35°
<b>Longitudinal slide of the table top</b>	250 mm
<b>Flex</b> - Only one button for two different movements (back section/ reverse trendelenburg)	
<b>Reflex</b> - Only one button for two different movements (Trendelenburg / back section)	
<b>Self levelling</b> - zero automatic position of the operating table	

### Manual adjustments

<b>Head section (removable)</b>	+35° / -72° (tiltable without adjustment at -90°)
<b>Leg section</b>	+25° / -90° Gas assisted with a lever
<b>Leg section spread</b>	Using mechanical lever system
<b>Table lock/unlock</b>	Mechanical system
<b>Emergency override (optional)</b>	Manual (optional)
<b>Weight capacity</b>	250 kg

### Operating table dimension

<b>Lenght</b>	2107 mm
<b>Width</b>	522 mm
<b>Weight</b>	220 kg
<b>Pads thickness</b>	60 mm