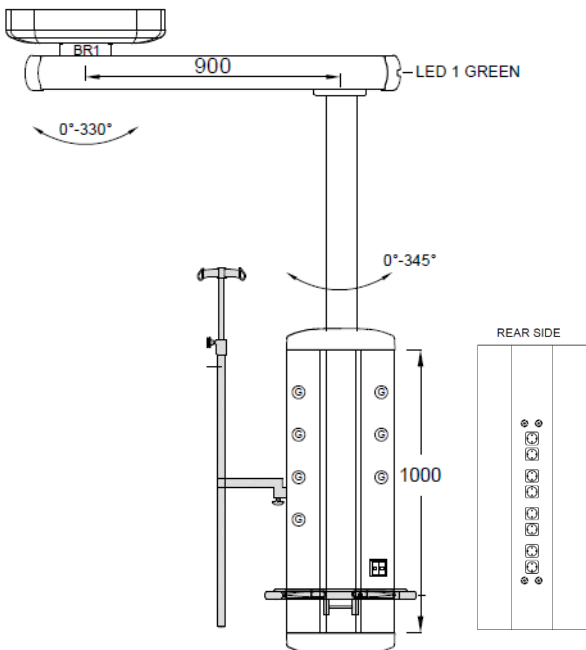


Model Name : Ceiling Pendant Unit Model Oki Isola for Anaesthesia Pendant
 Merk / Origin : LM Medical - Italy
 Model / Type : 17-1151-009



Technical Data

Payload	211 Kg
Colours	RAL 9010 Matt
Dimension	
1° arm	900 mm (330° swivel)
Brakes	
1° arm	Pneumatic, 4-6 bar
Service column	Adjustable friction
Fixing	
Ceiling load	3.6 KN
Ceiling plate	450x450
Ceiling cover	560 x 560 mm
Service column	
Section	380 x 200 mm
Sides	3
Cables passage	Ø105 mm
Height	1000 mm
Specs	
Power supply	220/230 V 50 Hz
Outlets	8 Shucko socket 16A white
Circuits	2 circuits (6 socket each)
Gas outlets	2xO ₂ , 2xMA4, 1xVAC, 1xN ₂ O, 1xAGSSPASSIVE

Standard accessories:

Shelf	
Payload	40 Kg
Dimension	460x440
IV stand	
Payload	1 pz (440x440x170mm)
Dimension	Load 30Kg
Controls	2 handles on front shelf