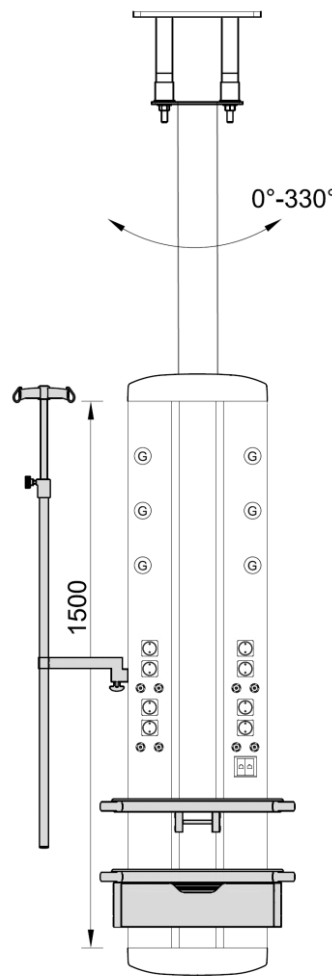


Model Name : Vertical Bed Head Unit Oki Cielo Suspended Unit for ICU Pendant
 Merk / Origin : LM Medical - Italy
 Model / Type : 17-1151-005



Technical Data

| | |
|----------------------|---------------------------------------|
| Payload | 320 Kg |
| Pillar | Ø115 mm 1300 mm height |
| Colours | all RAL 9010 matt |
| Dimension | |
| Beam | h.200 mm x W 380 mm 1500 mm lenght |
| Brakes | |
| Column rotation | Friction |
| Fixing | |
| Ceiling load | 2.2 KN each pillar |
| Ceiling plate | 350x350 |
| Ceiling cover | 250 x 250 mm |
| Specs | |
| Power supply | 220/230 V 50 Hz |
| Outlets | 8 Schuko socket 16A |
| Circuits | 1 circuits |
| Gas outlets | 2xO ₂ , 2xMA4, 2xVAC |
| Accessories : | |
| Shelf | 1 pz (440x440mm) Load 45Kg |
| Drawer | 1 pz (440x440x170mm) Load 45Kg |
| IV stand | 1 pz (1000+400) Load 30Kg |